



Statistics Catalonia: Towards total integration of statistics production

Session 1

01.06.2016

Institut d'estadística de Catalunya

www.idescat.cat

Frederic Udina, director

joint work with

Cristina Rovira, Josep Sort, Mercè Perelló (and the rest of the staff!)

 Generalitat de Catalunya
Institut d'Estadística de Catalunya

 Instituto
Nacional de
Estadística 

Madrid, May 31 - June 3

The purpose of official statistics

is to provide high quality statistics

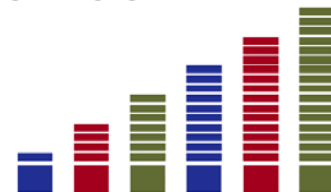
- for decision-making and the improvement of public policies
- to improve transparency and trust in the administration
- and the general good.

A modern approach (ESS Vision 2020)

- requires the integration of information from many sources,
- the high quality and efficiency of production processes
- and the use of multiple channels of dissemination to reach a wide variety of users,
- requiring constant and strict control of data security and confidentiality.

We need, and we are working on

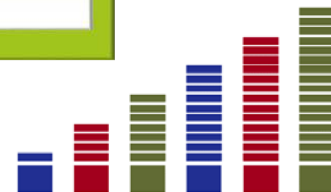
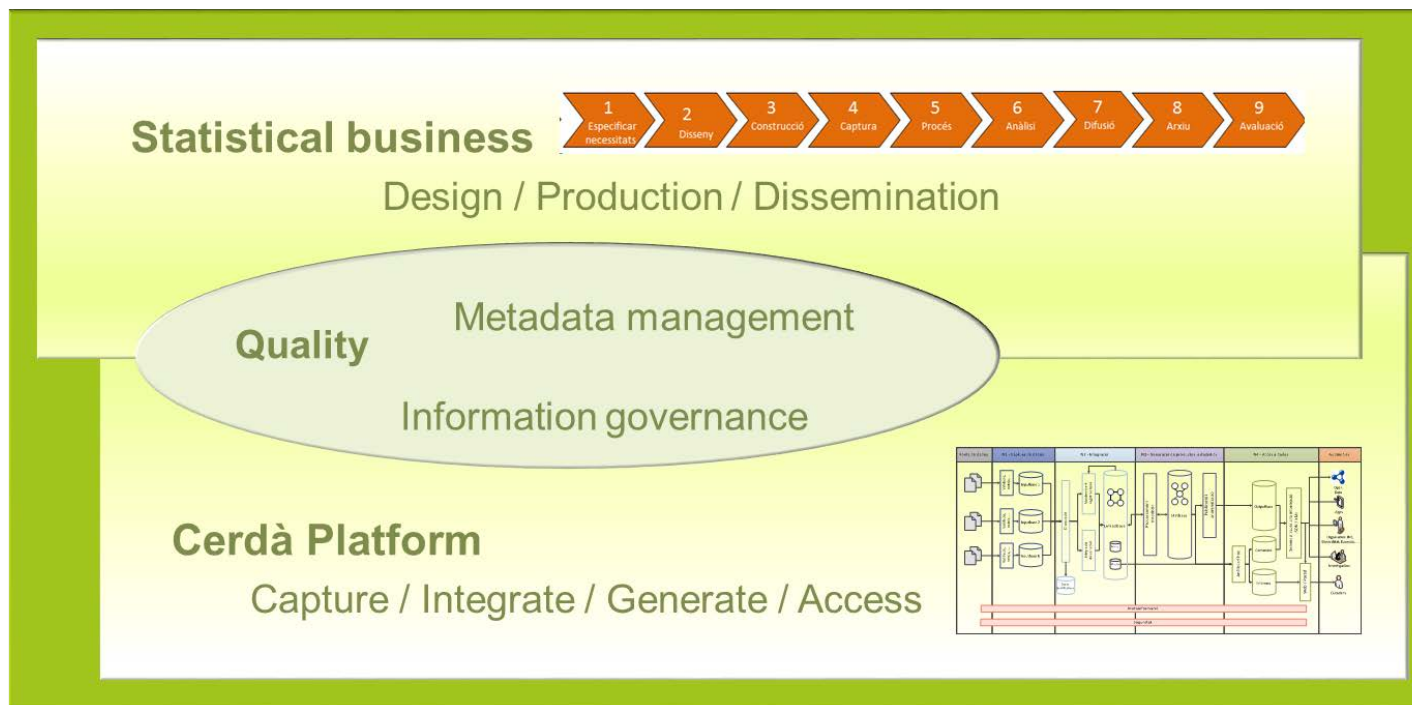
- Changes in the production model.
- Adapt to use multiple sources of statistical information.
- Updating the technological platform and the dissemination channels.



How to reach Quality and Efficiency?

It is a two-track parallel process

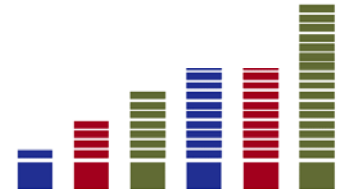
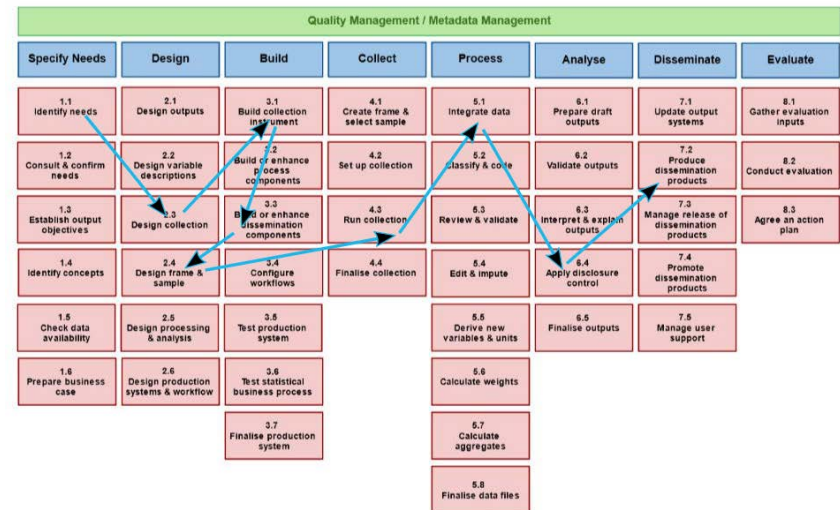
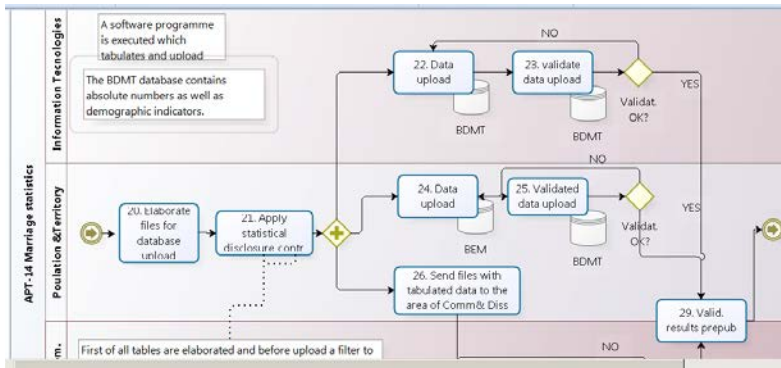
- **Business track.** The Qualitas project: analyze, re-design, integrate
- **Technological track:** The Cerdà Platform.



The Qualitas project, phase 1 (2015)

Analyze, document all the current processes

- 73 processes, many with sub-processes
- More than 70 meetings held, 48 people involved.
- Identify phases/steps, people, tools, software, files, etc. used
- Describe process variables, critical points.
- Map it to the GSBPM model
- Draw the data flows



An example
a typical document
has 60+ pages

1	Sum
1.1	Ident
1.2	Gene
2	Sum
2.1	Ident
2.2	Gene
3	Data
4	Data
5	Data
6	Data
7	Proc
8	GSBPM
(...)	

Table of contents

1	Summary tables - NAMEofPROCESS	4
1.1	Identification data	4
1.2	Generic data	4
2	Summary tables - NAMEofSubPROCESS	11
2.1	Identification data	11
2.2	Generic data	12
3	Data flow diagram –NAMEofPROCESS (monthly)	15
4	Data flow diagram –NAMEofPROCESS (yearly)	19
5	Data flow diagram –NAMEofSubPROCESS (quarterly)	23
6	Data flow diagram –NAMEofSubPROCESS (yearly)	27
7	Process development	31
8	GSBPM model	43
8.1	Correspondence	44
9	Process critical points	48
10	Defs and abbrevs	48
11	Related documents	48
12	Outcome documents	49
13	Document models	50
14	Annex	50

The Qualitas project, phase 2 (2016 and ...)

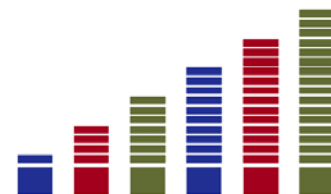
Re-design the current processes

- Avoid the stove pipe approach
- Integrate using the basic statistical registers:
 - Population
 - Entities
 - Territory
- Reuse information, make the results reusable
- Use several sources of data
 - Administration
 - Surveys
 - Private owned, Internet, *big data*, ...

Guided by the Code of practice of European statistics:

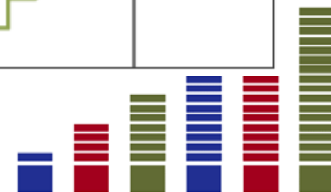
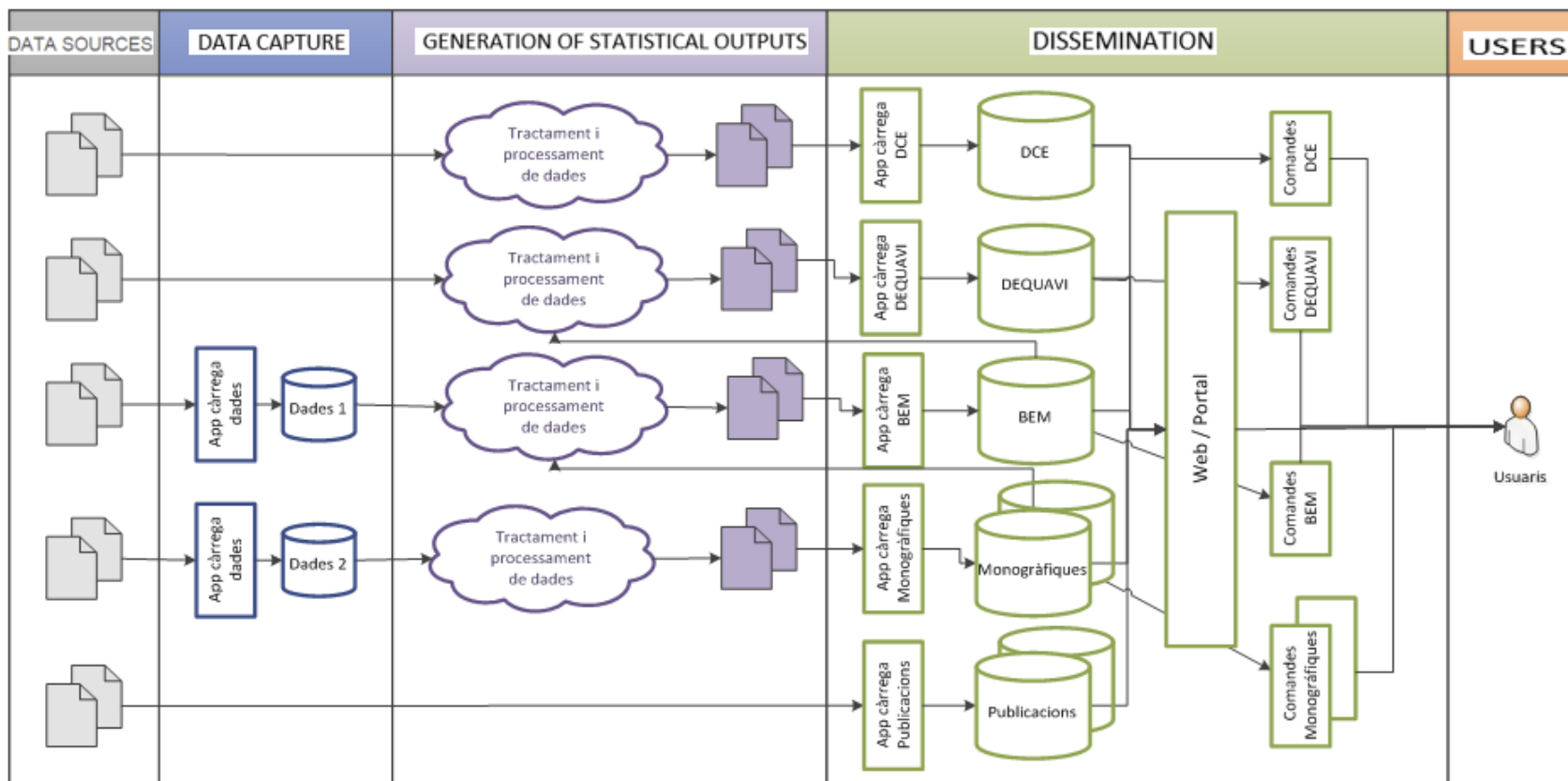
- sound methodology, appropriate statistical procedures, non-excessive burden on respondents and cost effectiveness.

Supported by a new technological platform.



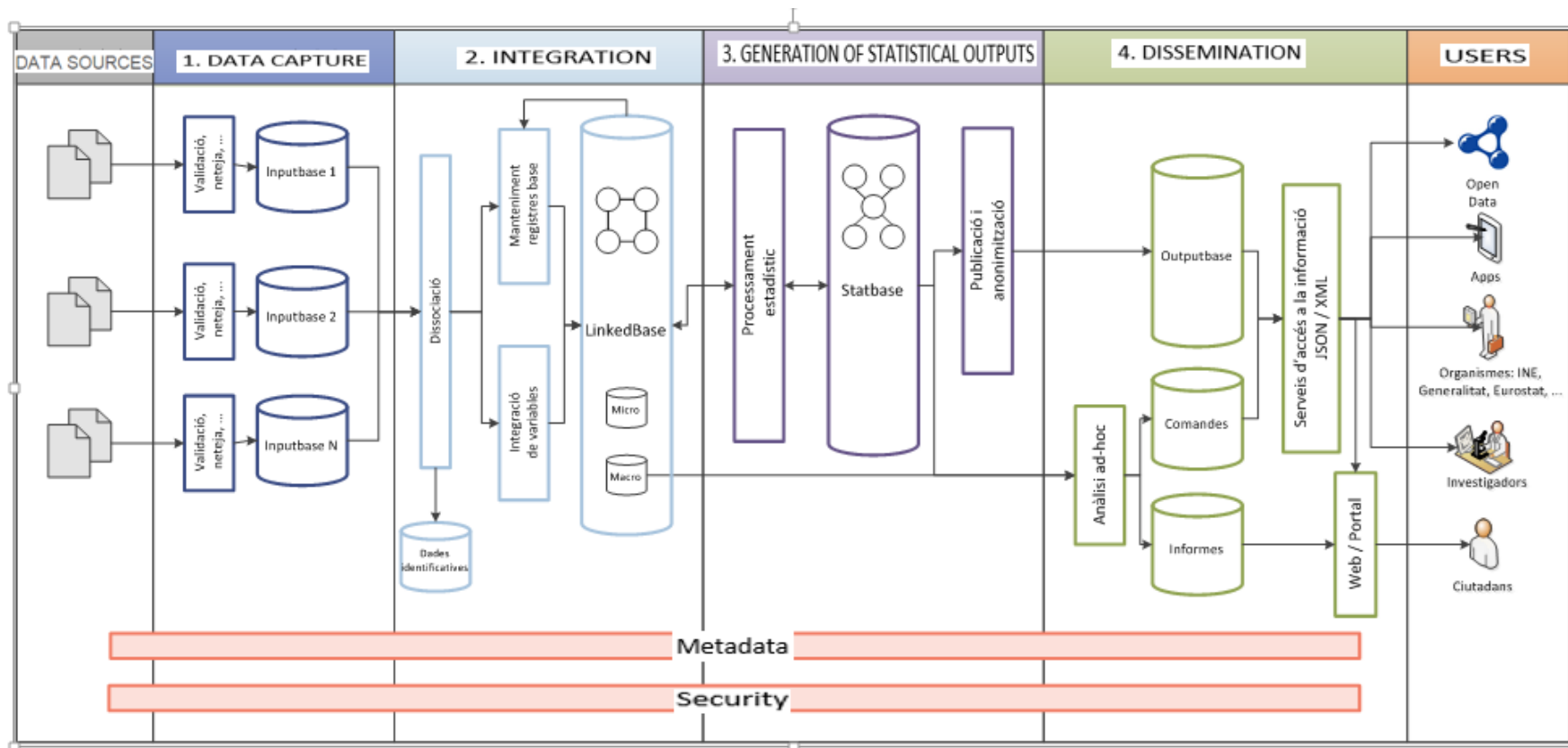
The Cerdà Platform

From the old stove-pipe model ...



The Cerdà Platform (II)

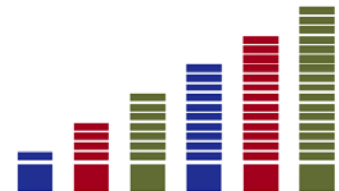
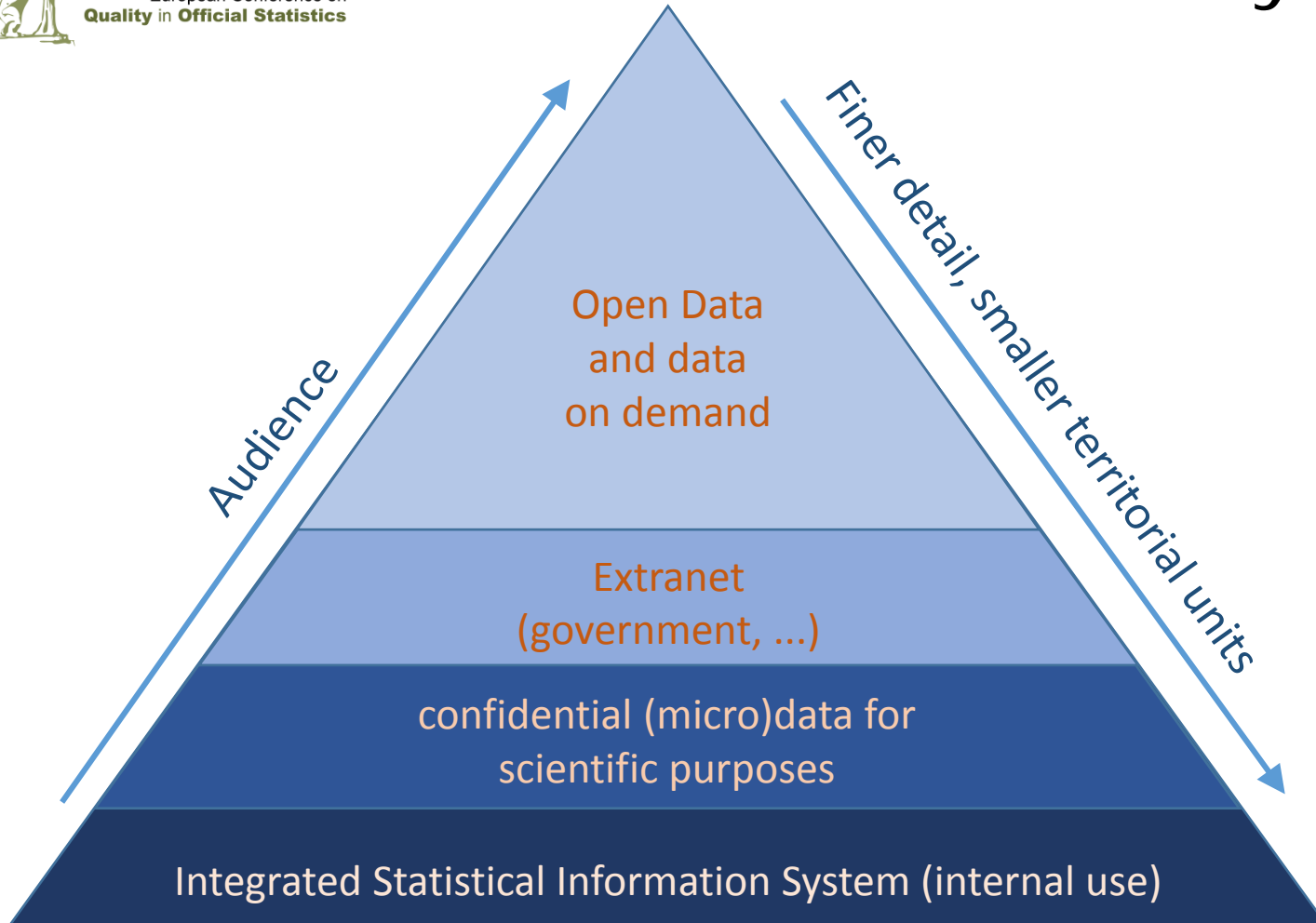
... to the Integrated Statistical Information System



Data Capture / Integration / Generation of stat / Dissemination



Four levels of data confidentiality



Thank you

fudina@idescat.cat



www.idescat.cat



<https://twitter.com/idescat>

